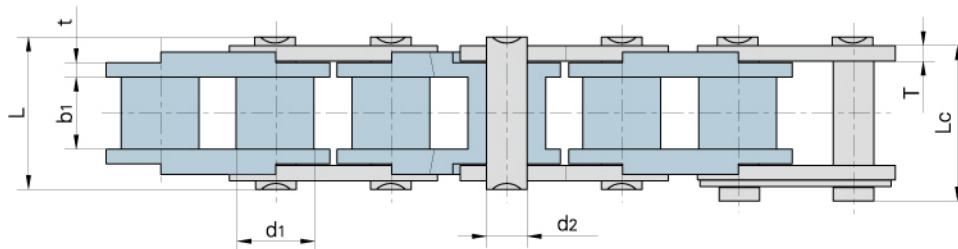
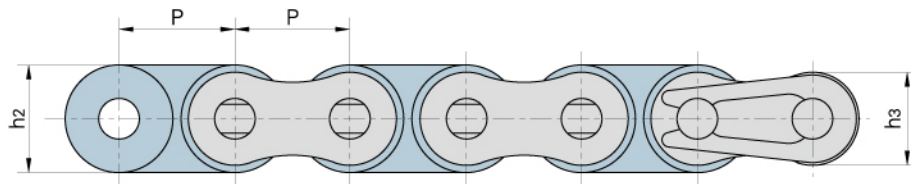


塑料链

Plastic chains

工程塑料内链节轻型输送链
Engineering plastic inner link light-duty conveyor chains

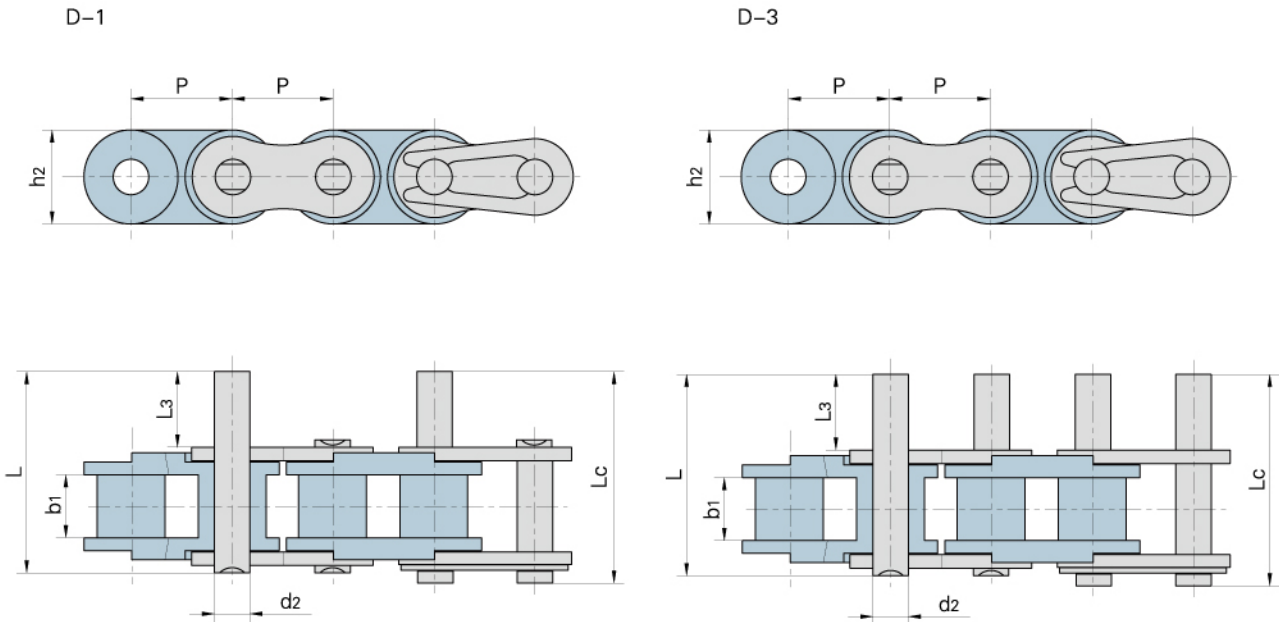


| 东华链号 Donghua Chain No. | 节距 | 滚子直径 | 内节内宽 | 销轴直径 | 销轴长度 | | 链板高度 | | 链板厚度 | 极限拉伸载荷 |
|------------------------------|--------|-----------------|----------------------------|--------------|------------|--------|-------------------|-----------------|---------------------------|----------|
| | Pitch | Roller diameter | Width between inner plates | Pin diameter | Pin length | | Inner plate depth | Plate thickness | Ultimate tensile strength | |
| | P | d1 max | b1 min | d2 max | L max | Lc max | h2 max | h3 max | t/T | Q min |
| | mm | mm | mm | mm | mm | mm | mm | mm | mm | kN/LB |
| 04CSPa | 6.350 | 3.30 | 3.10 | 2.31 | 7.9 | 8.4 | 6.0 | 5.06 | 0.80 | 0.6/136 |
| 06CSPa | 9.525 | 5.08 | 4.68 | 3.58 | 12.4 | 13.2 | 9.0 | 7.80 | 1.30 | 1.1/250 |
| 08ASPa | 12.700 | 7.92 | 7.85 | 3.96 | 16.6 | 17.8 | 12.0 | 10.40 | 1.50 | 2.5/568 |
| 10ASPa | 15.875 | 10.16 | 9.40 | 5.08 | 20.7 | 22.2 | 15.1 | 13.00 | 2.03 | 3.5/795 |
| 12ASpa | 19.050 | 11.91 | 12.57 | 5.94 | 25.9 | 27.7 | 18.0 | 15.60 | 2.42 | 4.5/1023 |
| 16ASpa | 25.400 | 15.88 | 15.75 | 7.92 | 32.7 | 35.0 | 24.0 | 20.50 | 3.25 | 7.5/1023 |
| 08BSPa | 12.700 | 8.51 | 7.75 | 4.45 | 16.7 | 18.2 | 11.8 | 10.60 | 1.60 | 2.5/568 |
| 10BSPa | 15.875 | 10.16 | 9.65 | 5.08 | 19.5 | 20.9 | 14.7 | 13.70 | 1.70 | 3.5/795 |
| 12BSpa | 19.050 | 12.07 | 11.68 | 5.72 | 22.5 | 24.2 | 16.0 | 15.00 | 1.85 | 4.2/1023 |
| 16BSpa | 25.400 | 15.88 | 17.02 | 8.28 | 36.1 | 37.4 | 21.0 | 21.00 | 4.15/3.1 | 7.5/1023 |

塑料链

Plastic chains

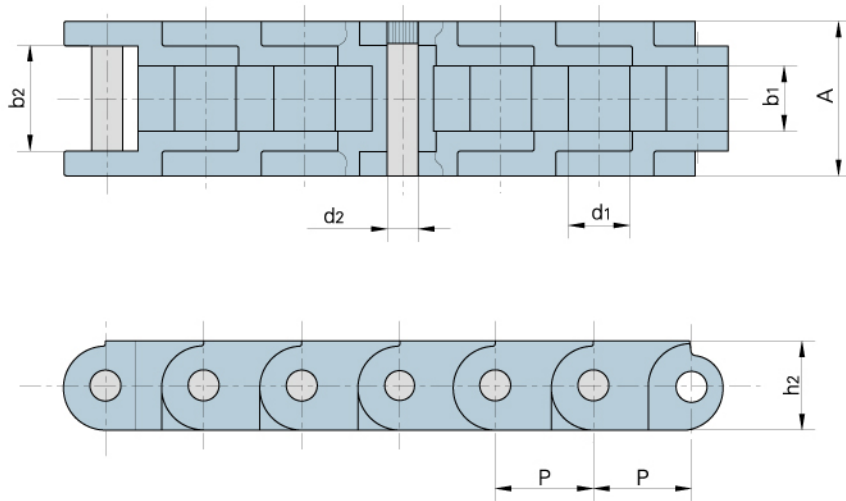
工程塑料内链节轻型输送链
Engineering plastic inner link light-duty conveyor chains



| 东华链号 Donghua Chain No. | P | b1 | d2 | h2 | L3 | L | Lc |
|------------------------------|--------|-------|------|------|------|------|------|
| | mm | mm | mm | mm | mm | mm | mm |
| 06CSPa | 9.525 | 4.68 | 3.58 | 9.0 | 9.5 | 20.8 | 21.6 |
| 08ASPa | 12.700 | 7.85 | 3.96 | 12.0 | 9.5 | 25.1 | 26.2 |
| 10ASPa | 15.875 | 9.40 | 5.08 | 15.1 | 11.9 | 31.3 | 33.1 |
| 12ASPa | 19.050 | 12.57 | 5.94 | 18.0 | 14.3 | 38.6 | 40.6 |
| 16ASPa | 25.400 | 15.75 | 7.92 | 24.0 | 19.1 | 50.3 | 53.3 |
| 08BSPa | 12.700 | 7.75 | 4.45 | 11.8 | 9.5 | 25.1 | 26.6 |
| 10BSPa | 15.875 | 9.65 | 5.08 | 14.7 | 11.9 | 30.1 | 31.5 |
| 12BSPa | 19.050 | 11.68 | 5.72 | 16.0 | 14.3 | 35.4 | 37.1 |
| 16BSPa | 25.400 | 17.02 | 8.28 | 21.0 | 19.1 | 53.0 | 54.3 |

塑料链 Plastic chains

输送机 CONVEYOR CHAINS



| 东华链号 Donghua Chain No. | P | b1 | b2 | d2 | d1 | A | h2 | 最大允许载荷 Max allowed load |
|------------------------------|-------|------|------|----|-------|----|------|-------------------------------|
| | mm | mm | mm | mm | mm | mm | mm | KN |
| PD60 | 19.05 | 12.7 | 20.7 | 6 | 11.94 | 30 | 17.3 | 0.88 |